

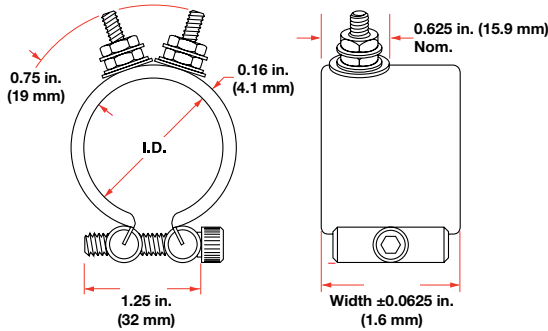
Band/Barrel Heaters

Mineral Insulated (MI) Band Heaters

Termination Variations

Post Terminals

Stock



Post terminals provide optimum connections. Screw thread is 10-24. To order, specify **post terminals** (metric threads available).

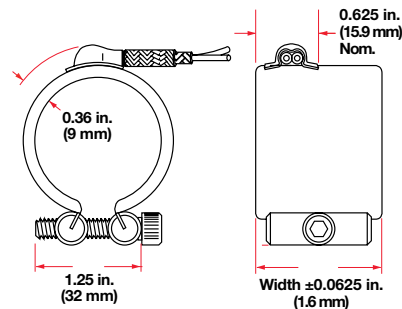
Lead Wire

Heaters rated at less than 250VAC use UL[®] approved lead insulation for operations to 480°F (250°C) as standard. Lead insulation UL[®] rated for operation to 840°F (450°C) is available for high-temperature applications where the leads are shrouded or enclosed with the heater. These leads are available in any of the Type B with loose braid as well as Types E, F and H lead configurations. All heaters rated at more than 250VAC use this wire. When ordering, specify **850°F (450°C) wire**.

Leads Type B, Type B - 90° rotation, Type B - 180° rotation or Type C: Two fiberglass-insulated lead wires exit in a single metal braid for good abrasion protection, lead flexibility and wiring convenience. Leads are 2 in. (51 mm) longer than braid. Shipped with 12 in. (305 mm) leads, unless longer length is specified. To order, specify **type and length**.

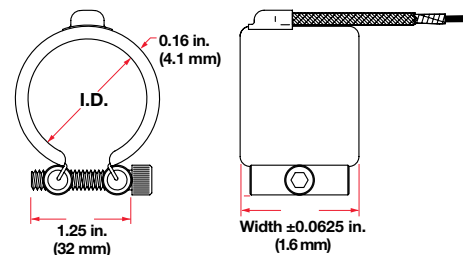
Type B - 90° Rotation

Non-Stock



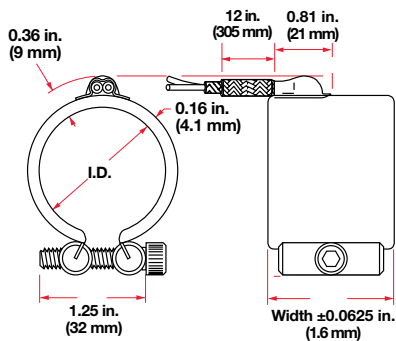
Type B - 180° Rotation

Stock



Type B

Stock



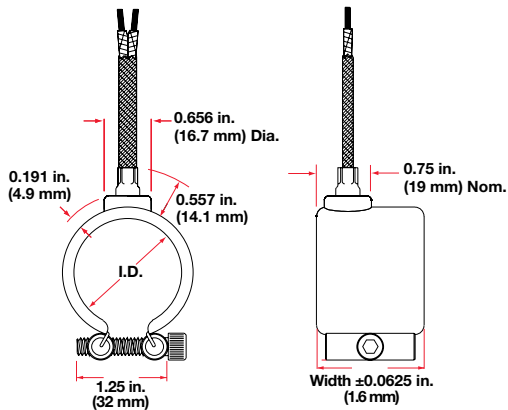
Band/Barrel Heaters

Mineral Insulated (MI) Band Heaters

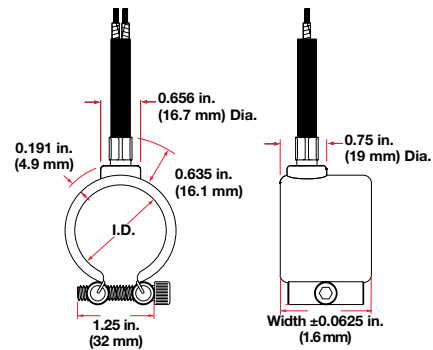
Termination Variations (Continued)

Lead Wire (Continued)

Type C Stock

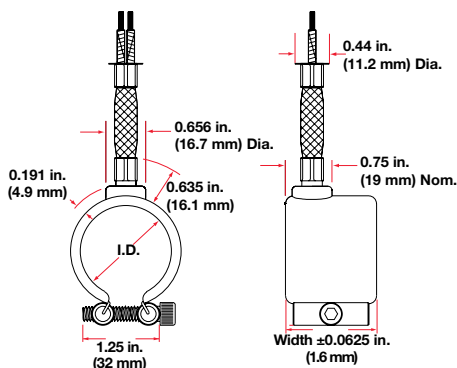


Type F Stock



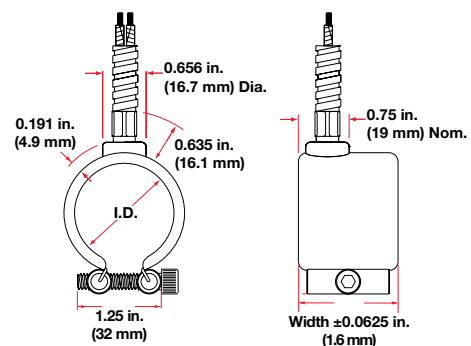
Type F: Loose fiberglass sleeving encloses two fiberglass leads for additional insulation protection where high temperature or minor abrasion is present. Leads are 2 in. (51 mm) longer than the sleeving. To order, specify **Type F** and **length**.

Type E Stock



Type E: Loose metal braid encloses two fiberglass leads for good abrasion protection, lead flexibility and wiring convenience. Leads are 2 in. (51 mm) longer than the braid. Shipped with 12 in. (305 mm) leads, unless longer length is specified. To order, specify **Type E** and **length**.

Type H Stock



Type H: A flexible steel hose encloses the leads for maximum abrasion protection. Leads are 2 in. (51 mm) longer than hose. Shipped with 12 in. (305 mm) leads, unless longer length is specified. To order, specify **Type H** and **length**.